

ONKYO® SERVICE MANUAL**DVD / VIDEO CD / CD PLAYER
MODEL DV-S717****USA, CANADA**

UD	120V AC, 50Hz
UWT	120-240V AC, 50/60HZ

: Black model

<G>: Golden model

SAFETY-RELATED COMPONENT WARNING!!

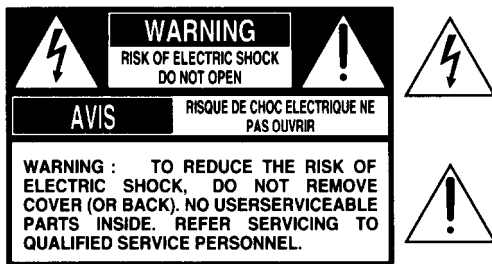
COMPONENTS IDENTIFIED BY MARK \triangle ON THE SCHEMATIC DIAGRAM AND IN THE PARTS LIST ARE CRITICAL FOR RISK OF FIRE AND ELECTRIC SHOCK. REPLACE THESE COMPONENTS WITH ONKYO PARTS WHOSE PART NUMBERS APPEAR AS SHOWN IN THIS MANUAL.

MAKE LEAKAGE-CURRENT OR RESISTANCE MEASUREMENTS TO DETERMINE THAT EXPOSED PARTS ARE ACCEPTABLY INSULATED FROM THE SUPPLY CIRCUIT BEFORE RETURNING THE APPLIANCE TO THE CUSTOMER.



OPERATING INSTRUCTIONS

SAFETY PRECAUTIONS



The lightning flash with arrowhead symbol, within an equilateral triangle, is intended to alert the user to the presence of uninsulated "dangerous voltage" within the product's enclosure that may be of sufficient magnitude to constitute a risk of electric shock to persons.

The exclamation point within an equilateral triangle is intended to alert the user to the presence of important operating and maintenance (servicing) instructions in the literature accompanying the appliance.

WARNING: TO REDUCE THE RISK OF FIRE OR ELECTRIC SHOCK, DO NOT EXPOSE THIS APPLIANCE TO RAIN OR MOISTURE. DANGEROUS HIGH VOLTAGES ARE PRESENT INSIDE THE ENCLOSURE. DO NOT OPEN THE CABINET. REFER SERVICING TO QUALIFIED PERSONNEL ONLY.

CAUTION: TO PREVENT ELECTRIC SHOCK, MATCH WIDE BLADE OF PLUG TO WIDE SLOT, FULLY INSERT.

ATTENTION: POUR EVITER LES CHOC ELECTRIQUE, INTRODUIRE LA LAME LA PLUS LARGE DE LA FICHE DANS LA BORNE CORRESPONDANTE DE LA PRISE ET POUSSER JUSQU' AU FOND.

CAUTION: This Digital Video Disc Player employs a Laser System.
To ensure proper use of this product, please read this owner's manual carefully and retain for future reference. Should the unit require maintenance, contact an authorized service location - see service procedure.

Use of controls, adjustments or the performance of procedures other than those specified may result herein hazardous radiation exposure.

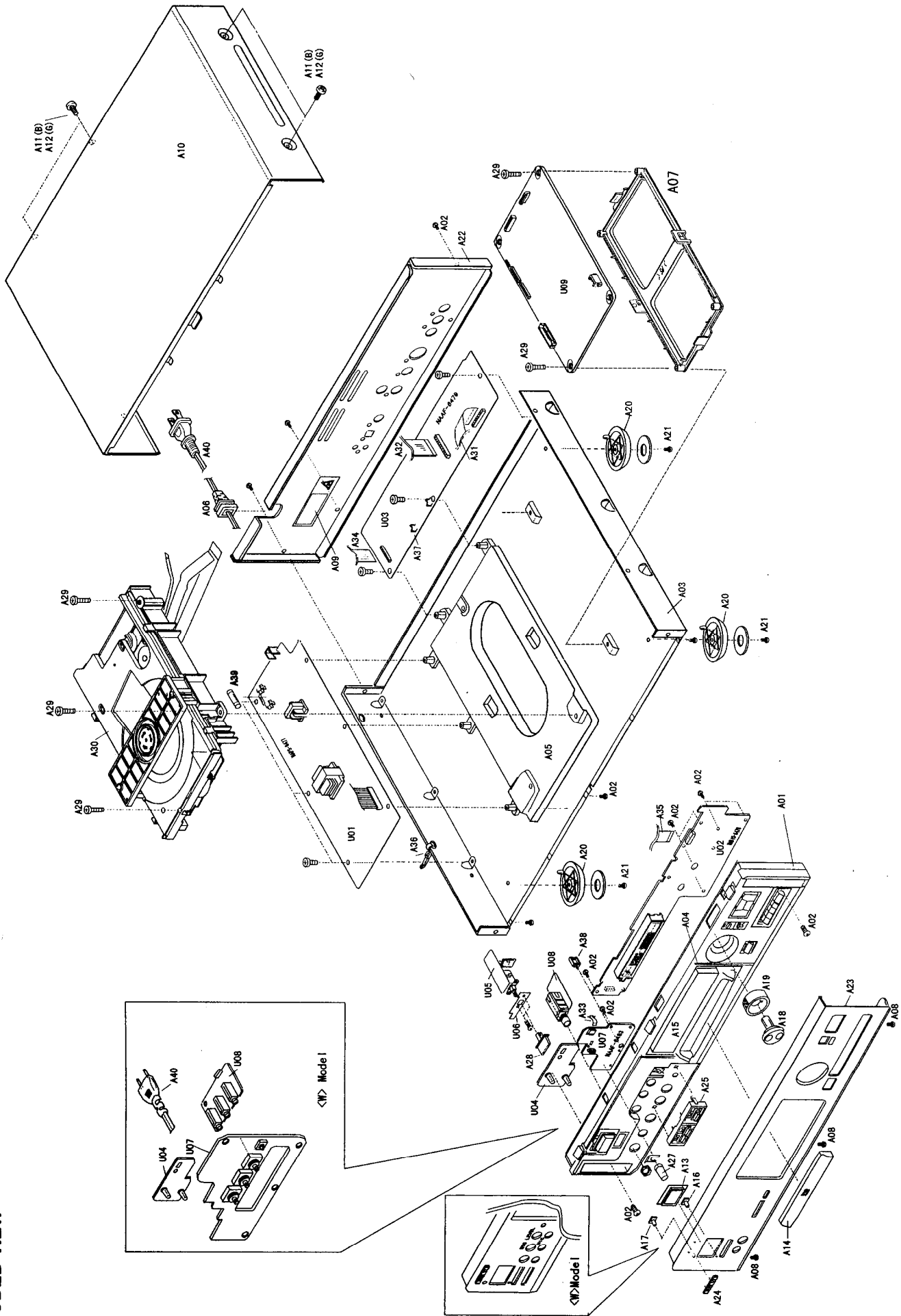
To prevent direct exposure to laser beam, do not try to open the enclosure.
Visible laser radiation when open and interlocks defeated.
DO NOT STARE INTO BEAM.

PREPARATION OF SERVICING

Pickup Head consists of a laser diode that is very susceptible to external static electricity.

Although it operates properly after replacement, if it was subject to electrostatic discharge during replacement, its life might be shortened. When replacing, use a conductive mat, soldering iron with ground wire, etc. to protect the laser diode from damage by static electricity.

EXPLODED VIEW



PARTS LIST

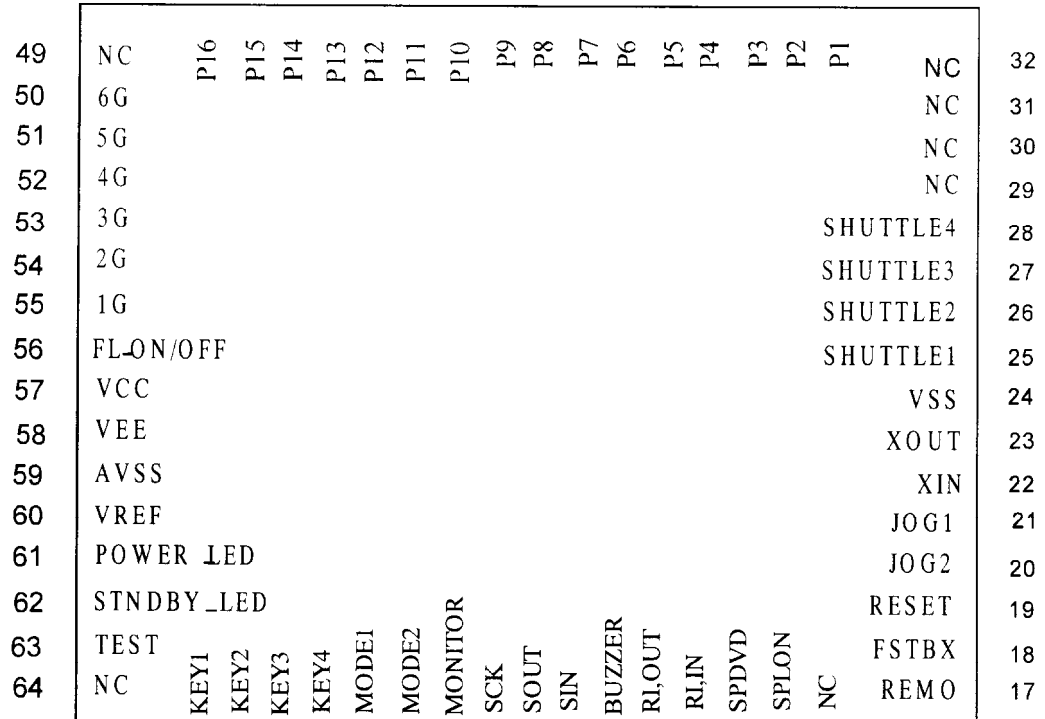
REF.NO.	PART NO.	DESCRIPTION	REF.NO.	PART NO.	DESCRIPTION
A01	27111071A	Front bracket 	A27	28325452	Knob, Mic. <D>
A01	27111072A	Front bracket <G>	A27	28325452	Knob, Mic. <BW>
A02	838130088	3TTB+8B,Self-tapping screw	A27	28325495	Knob, Mic. <G>
A03	27100363	Chassis	A28	28325497A	Knob, Power
A04	29110138	Tape, copper	A28	28325499A	Knob, Power <G>
A05	27191047A	Holder, mechanism	A29	82143010	3P+10FN(BC), Pan head screw
A06	27300750	Holder, PC board	A30	24801001A	SD-2100K1-ZX,DVD mechanism ass'y
A07	27191049	Holder, cord	A31	2045171012	NCFC5-171012, Flexible flat cable
A08	831130168	3TTW+16B,Self-tapping screw	A32	2045251512	NCFC5-251512, Flexible flat cable
A09	29362285	Label, Caution	A33	2045081012	NCFC5-081012, Flexible flat cable
A10	28184697A	Top cover 	A34	2045123012	NCFC5-123012, Flexible flat cable
A10	28184696A	Top cover <G>	A35	2045101512	NCFC5-101512, Flexible flat cable
A11	838430088	3TTB+8B(BC),Self-tapping screw 	A36	260208	Wire tie
A12	838230088	3TTB+8B(NI),Self-tapping screw <G>	A37	27255004	CS-1U,Clip
A13	27267993	Guide, Power 	A38	27190541	WS-INS, Clamp <D>
A13	27267994	Guide, Power <G>	A39	252146	1.25A-TSC,Fuse <D>
A14	28148399	Door 	A39	252071	1.25A-SE-EAWK,Fuse <W>
A14	28148400	Door <G>	A40	253277MIL	AS-UC-2#18,Power supply cord <D>
A15	28191830A	Clear plate <G>	A40	253193HIT	AS-CEE,Power supply cord <W>
A15	28191829A	Clear plate 	U01	IH398577-1A	NAPS-6477-1A, Power supply circuit PC board ass'y <D>
A16	28198778	Facet	U01	IH398577-1B	NAPS-6477-1B, Power supply circuit PC board ass'y <D>
A17	28198846	Facet 3	U02	IH398578-1A	NADIS-6478-1A, Display circuit PC board ass'y <D>
A18	28325353A	Knob J 	U02	IH398578-1B	NADIS-6478-1B, Display circuit PC board ass'y <D>
A18	28325601	Knob J <G>	U03	IH398579-1A	NAAF-6479-1A, Terminal pc board ass'y <D>
A19	28325352A	Knob S 	U03	IH398579-1B	NAAF-6479-1B, Terminal pc board ass'y <W>
A19	28325600	Knob S <G>	U04	IH398580-1A	NAETC-6480-1A, LED pc board ass'y <D>
A20	27175311A	Leg	U04	IH398580-1B	NAETC-6480-1B, LED pc board ass'y <W>
A21	831430088	3TTW+8B(BC), Self-tapping screw	U05	IH398581-1A	NASW-6481-1A,Switch PC board ass'y <D>
A22	27122536	Rear panel <D>	U05	IH398581-1B	NASW-6481-1B,Switch PC board ass'y <W>
A22	27122554	Rear panel <W>	U06	IH398582-1A	NAETC-6482-1A, PC board ass'y <D>
A23	27212057	Front panel <D>	U06	IH398582-1B	NAETC-6482-1B, PC board ass'y <W>
A23	27212073	Front panel <BW>	U07	IH398583-1A	NAAF-6483-1A, Menu select pc board ass'y <D>
A23	27212074	Front panel <G>	U07	IH398585-1B	NAAF-6485-1B, Menu select pc board ass'y <W>
A24	28135244Y	Badge 	U08	IH398584-1A	NAAF-6484-1A,Head phone pc board ass'y <D>
A24	28135245Y	Badge <G>	U08	IH398586-1B	NAAF-6486-1B,Head phone pc board ass'y <W>
A25	28325598	Knob 3 <D>	U09	24150004	SD-10F1,Main circuit PC board ass'y <D>
A26	28325596	Knob 2 <BW>	U09	24150005	SD-10G6,Main circuit PC board ass'y <W>
A26	28325597	Knob 2 <G>			

NOTE: : Black model only
 <G>: Golden model only
 <D>: 120V model only
 <W>: Worldwide model only
 <BW>: Black type worldwide model only

Q701:MICROPROCESSOR TERMINAL DIAGRAM

PIN No.	PORT NAME	I/O	DESCRIPTION	PIN No.	PORT NAME	I/O	DESCRIPTION
1	KEY1	I		33	P1	O	Output port for fluorescent tube (segment)
2	KEY2	I	Key input terminal	34	P2	O	↓
3	KEY3	I					
4	KEY4	I					
5	MODE1	I		L:Effective the ONKYO-remote control			
6	MODE2	I	GND (Select the version)	36	P4	O	
7	MONITOR	O	Monitor terminal	37	P5	O	
8	SCK	I	Serial clock input port	38	P6	O	
9	SOUT	O	Serial data output port	39	P7	O	
10	SIN	I	Serial data input port	40	P8	O	
11	BUZZER	O	Output port for buzzer	41	P9	O	
12	RI.OUT	O	Output port for system(output)	42	P10	O	
13	RI.IN	I	Output port for system(input)	43	P11	O	
14	SPDVD	O	Control port for KARAOKE processor	44	P12	O	
15	SPLON	O	Control port for KARAOKE processor	45	P13	O	
16	-		Not use	46	P14	O	
17	REMO	I	Remote control input port	47	P15	O	
18	FSTBX	I	Serial data transmit input port	48	P16	O	Output port for fluorescent tube (segment)
19	RESET	I	Reset signal input	49	-		Not use
20	JOG2	I	JOG plus input	50	6G	O	Output port for fluorescent tube (grid)
21	JOG1	I		51	5G	O	↓
22	ZIN	I	Clock circuit (input)	52	4G	O	
23	XOUT	O	Clock circuit (output)	53	3G	O	
24	VSS		Ground	54	2G	O	
25	SHUTTLE1	I	Shuttle input	55	1G	O	
26	SHUTTLE2	I		56	FL_ON/OFF	O	Fluorescent tube control port (heater)
27	SHUTTLE3	I		57	VCC		Power supply
28	SHUTTLE4	I		58	VEE		Power supply for fluorescent tube
29	-		Not use	59	AVSS		Ground for A/D converter
30	-			60	VREF		Regulated power supply for A/D converter
31	-			61	POWER_LED	O	Control terminal of power LED
32	-			62	STANDBY_LED	O	Control terminal of standby LED
				63	TEST		(+5V)
				64	-		Not use

48 47 46 45 44 43 42 41 40 39 38 37 36 35 34 33



1 2 3 4 5 6 7 8 9 10 11 12 13 14 15 16

PARTS LIST

CIRCUIT No.	PARTS No.	DESCRIPTION	CIRCUIT No.	PARTS No.	DESCRIPTION
Power supply circuit PC board (NAPS-6477)					
		ICs	C921, C922	393744717	CE04W16V-470M(PW) Plastic
Q901	22241229	△ STR-F6653	C923, C924, C930	393382207	CE04W50V-22M(VX) Plastic
E901A	27160428	17PB23L30 Heat sink	C926, C927	393382207	CE04W50V-22M(VX) Plastic
E901B	82143010	3P+10FN(BC) Self tapping screw	N C929	374722244	ECQ-V50V-224j Plastic
Q902	22241230	SI3090C	C931	393744717	CE04W16V-470M(PW) Plastic
			C932-C934, C936,	393382207	CE04W50V-22M(VX) Plastic
			C938		
E902A	27160427	10PB15L25 Heat sink	N C937	393341017	CE04W16V-100M(VX) Plastic
E902B	82143010	3P+10FN(BC) Self tapping screw	C950, C951	374721044	ECQ-V50V-104j Plastic
Q903	22241231	SI3050C	C952, C953	393361027S	CE04W35V-1000M(VX) Elect.
E903A	27160427	10PB15L25 Heat sink	N C952	393362227S	CE04W35V-2200M(VX) Elect.
E903B	82143010	3P+10FN(BC) Self tapping screw	C953	393364717S	CE04W35V-470M(VX) Elect. <W>
Q904	22241232	SI3033C	C954, C955	393344707	CE04W16V-47M(VX) Plastic
E904A	27160427	10PB15L25 Heat sink	N C961	374722244	ECQ-V50V-224j Plastic
E904B	82143010	3P+10FN(BC) Self tapping screw			Sockets
Q905	22241233	SE005N	P910A	2002321215	NSAS-12P0280 Socket AS
		Transistors	P911	2002392830	NSAS-28P0663 Socket AS
Q906	2211504 or	2SA950-Y or	P912A	2002390645	NSAS-6P0689 Socket AS
Q906 or	2211503	2SA950-O			Resistors
Q907	24120044	ON3131-R Photo coupler	R901	4000076	△ MPC74-5WK-0.22 Metal 5W
Q910	2202115	2SD2061-E	R902	411516844	△ R1/2J-680K Carbon 1/2W
E910A	27160166	HEAT-SINK(DX-200)	R903	441726834NF	△ RS2WBJ-68K Metal 2W
E910B	82143010	3P+10FN(BC) Self tapping screw	R904	441721044NF	△ RS2WBJ-100K Metal 2W
Q911	2201275	2SB772-Q	R905	453530224	△ RNU1/2WCJ-2.2 Metal
Q912	2213284	2SC1740S-R	R906	443522724	RS1/2WBJ-2.7K Metal
Q913	2213354	2SA933S-R	R907	451735194F	△ RNU2WCJ-0.51 Metal 2W
Q914	2214490R0	RN1404	R908	443526814	RS1/2WBJ-680 Metal
Q915, Q916	2212524	2SK363-GR	R909	443523324	RS1/2WBJ-3.3K Metal
Q970	2214373R0 or	2SA1162-O or	R912	443522214	RS1/2WBJ-220 Metal
Q970 or	2214374R0 or	2SA1162-Y or	R913	443521024	RS1/2WBJ-1K Metal
Q970 or	2214375R0	2SA1162-GR <W>	R919	443522234	RS1/2WBJ-22K Metal
		Diodes	T901	2301342	△ NPT-1341 Power transformer
D901-D904	22380287F	△ EM2A	T902	2301376	△ NPT-1356D
D905	22380291	△ EG01C	T902	2301386	△ NPT-1359D Power transformer
D906, D907, D908,	22380294	AG01Z			<W>
D912, D913					Transformers
D909	22380295F	RN2Z			Others
D910, D911	22380296F	RK46	P950A	25055675	NPLG-2P631 Plug
D917	22380300F	RU2YX	P991A	2065543304	DV-S501 CRIMP AS
D923	224492200R0	UDZ22B	P992A	2065543309	CRIMP AS
D924	224490330R0	UDZ3.3B	E950	25065425	M3 Terminal screw
D930-D934	22380035 or	△ GP104003E or	Display circuit PC board (NADIS-6478)		
D930 or	22380260	RL1N4003			ICs
D935	224490750R0	UDZ7.5B	Q701	22241287R0	M38123M4-129FP
D935	224490910R0	UDZ9.1B Zener <W>			Transistors
D936	224490750R0	UDZ7.5B	Q702	2211504	2SA950-Y
D970	224490620R0	UDZ6.2B Zener <W>	Q702 or	2211503	2SA950-O
		Fuse label	Q703	212189	6-BT-289GK FL TUBE
E951	29362309	1.25A/125V Fuse label <D>	E701	27191048A	FL holder
E951	29361580	T1.25AL250V Fuse Label <W>	Q705	241330	PIC-26043TE2 Remote sensor
		Fuse holders	Q706	3010309	PKM13EPY-4002 Piezo-oscillator
F901A, F901B	25050065	YSH403T Fuse holder			Switches
		Coils	S701-S712	25035652	NPS-111-S604 Push switch
L901	231280	△ NCH-3561 Choke coil	S717	25065514	SRGPHJ-A-2-1 Jog shuttle
L902	231222	△ NCH-3454 Choke coil			Ceramic filters
L902	231280	△ NCH-3561 Choke coil <W>	X701	3010190	CST8.00MTW Cera Lock
L903	230906	△ BL02RN2-R62 Ferrite core			Capacitors
L904-L906	231253K100	NCH-1490 Choke coil	C701	393382207	CE04W50V-22M(VX) Elect.
		Capacitors	C702, C703	393321017	CE04W6.3V-100M(VX) Elect.
C901-C904	3500077	△ DE7150F-472M IS cap.			Others
C910	3937E1017S	CE04W400V-100M(PW) Elect.	P702A	25052118R0	NSCT-8P2016 Socket
C911	3000115	DE1005SL-221J2K(HR) Elect.	P712	25051892	NSCT-10P1679 Socket
C912	3000114	△ QXJ2J-103K-TPT(XJ) Elect.			
C913	393364707	CE04W35V-47M(VX) Plastic			
C916	3500077	DE7150F-472M IS C.			
C920, C925, C928	393751027S	CE04W25V-1000M(PW) Elect.			

PARTS LIST

CIRCUIT No.	PARTS No.	DESCRIPTION	CIRCUIT No.	PARTS No.	DESCRIPTION
Terminal PC board (NAAF-6479)					
		Transistors	Z201-Z204	3030040	LC block H286LAIS-15674 LC block
Q201-Q204	2215915R0	HN1A01F-GR	N		Others
Q205, Q206, Q212, Q213	2215925R0	HN1C01F-GR	N X301	3010314	HC-49/U03-24.576M Resonator N
Q207-Q211	2215915R0	HN1A01F-GR	N P311A	25051088	NSCT-4P875 Wire holder
Q301	22241288R0	NJU6321PE	N P311B	25051088	NSCT-4P875 Wire holder
Q302	22240947R0	TC7W241FU	P912B	25055147	NPLG-3P131 Plug
Q304	22241286R0	AD1855	N P910B	25055150	NPLG-6P134 Plug
Q305	222740046R0	74HCU04F or 74HCU04(TC74HCU04F)	E202	27190540-1	HOLDER(CLAMP)
Q306, Q412, Q414, Q416	2214540R0	RN2403	E203	27190540-1	HOLDER(CLAMP)
Q307	24120038	GP1F32T Photo coupler	J1	72120140505	1007#24 .2/7HAND B Jumper lead
Q308	22241289R0	NJM2370U05	N JL311	4J200606B15	JL4 200 B Jumper lead
Q310	22241172R0	TC7S08FU	JL714	5J200606B15	JL5 200B(6-6) Jumper lead
Q311	22241292R0	TC7S32FU	N JL715	3J200606B15	JL3 200 B Jumper lead
Q401, Q402, Q411, Q418	22240581R0	NJM4565M	LED PC board (NAETC-6480)		
Q403-Q408	2215940R0	FMG12	N		Transistors
Q415, Q413, Q214	2214490R0	RN1404	Q710, Q711	2214490R0	RN1404
Q417	2214540R0	RN2403 <W>			LED
Q419, Q420	22241290R0	TC7S66FU <W>	N D703	225255B	SEL3110S-B LED (Standby)
		Diodes	D704	225324D	SEL6910A-D LED (Power)
D301, D401-D403	223234R0	1SS352	P714A	25051089	Others NSCT-5P876 Wire holder
D201	22380035 or 22380260	GP104003E or RL1N4003	S716	25035652	NPS-111-S604 Push switch
D302	224490560R0	UDZ5.6B	Switch PC board (NASW-6481)		
		Capacitors	C990	3500191	⚠ DE7150F-103M IS cap.
C207	355742209	CE04W16V-22M Elect.	C990A	27301216	⚠ SB1925A C Cover
C210, C305, C326, C419, C420	393344707	CE04W16V-47M(VX) Plastic	S991	25035636	⚠ NPS-111-L590P Power switch
C214-C217, C219, C427	393324717	CE04W6.3V-470M(VX) Plastic	Menu PC board (NAAF-6483) <D> only		
C224, C421, C422	393341017	CE04W16V-100M(VX) Plastic	Q714	222654	ICs NJM4556D
C308, C316	393321017	CE04W6.3V-100M(VX) Plastic			Transistors
C311	393322217	CE04W6.3V-220M(VX) Plastic	N Q712, Q713	2212794	2SD1468-R
C313, C314, C328	393341007	CE04W16V-10M(VX) Plastic	Q715	2214490R0	RN1404
C318	355722209	CE04W6.3V-22M Elect	Q716	2214540R0	RN2403
C409, C410, C417, C418	374721824	ECQ-B50V-182j Plastic			Capacitors
C413, C414	374721024	ECQ-B50V-102J Plastic	C720, C721	393344707	CE04W16V-47M(VX) Elect.
C415, C416	374724724	ECQ-B50V-472j Plastic	C725, C726	393382207	CE04W50V-22M(VX) Elect.
C428, C433	393382207	CE04W50V-22M(VX) Elect. <W>	P702B	25051890	Sockets NSCT-8P1677 Socket
C429, C430	374723624	ECQ-B50V-362j Plastic	P710B	25052121R0	NSCT-12P2019 Socket
		Coils	S713-S715	25035652	Switches NPS-111-S604 Push switch
L201	231237K470R	NCH-1479 Choke coil	R764	5132436	Others N14RGL20KA17Z Variable R.
L202-L207, L301	230921R0	BLM21B222SPT Choke coil	P714B	25051089	NSCT-5P876 Wire holder
L304-L308	230921R0	BLM21B222SPT Choke coil	P715B	25051087	NSCT-3P874 Wire holder
L401, L402	231081	NCH-2129 Choke coil	Headphone PC board (NAETC-6484) <D> only		
L403, L404	231237K331R	NCH-1483 Choke coil	L721-L723	230921R0	BLM21B222SPT Choke coil
		Jacks	P701	25045441 or 25045560	YKB26-5801 or YKB26-5805 jack
P310	25045330	NPJ-2PDBL184 Jack	P715A	25051087	NSCT-3P874 Wire holder
P401	25045371	NPJ-2PDWR214 Jack			
P201	25045546	NPJ-3PDRE367 Pin jack			
P203	25045547	NPJ-1PDYE368 Pin jack			
P301	25045548	NPJ-1PDOR369 Pin jack			
		Sockets			
P202	25051750	NSCT-4P1537 Socket			
P710A	25051936	NSCT-12P1723 Socket			
P210	25051941	NSCT-17P1728 Socket			
P211	25051949	NSCT-25P1736 Socket			

PARTS LIST

CIRCUIT No.	PARTS No.	DESCRIPTION
Menu PC board (NAAF-6485) <W> only		
		ICs
Q803	22240581R0	NJM4565M <W>
		Transistors
Q801,Q802	2212794	2SD1468-R <W>
Q804	2214490R0	RN1404 <W>
Q805	2214540R0	RN2403 <W>
		Capacitors
C801,C802,C807, C808	393382207	CE04W50V-22M(VX) Elect. <W>
C805,C806	393344707	CE04W16V-47M(VX) Elect. <W>
		Resistors
R800	5132436	N14RGL20KA17Z Variable R.
R801,R802	5121437	N11RHL50KA17Z Variable R. <W>
		Sockets
P702C	25051890	NSCT-8P1677 Socket <W>
P710C	25052121R0	NSCT-12P2019 Socket <W>
P711B	2002391815	NSAS-18P0666 Socket AS <W>
		Switches
S801-S803	25035652	NPS-111-S604 Push switch <W>
		Wire holder
P714C	25051089	NSCT-5P876 Wire holder <W>

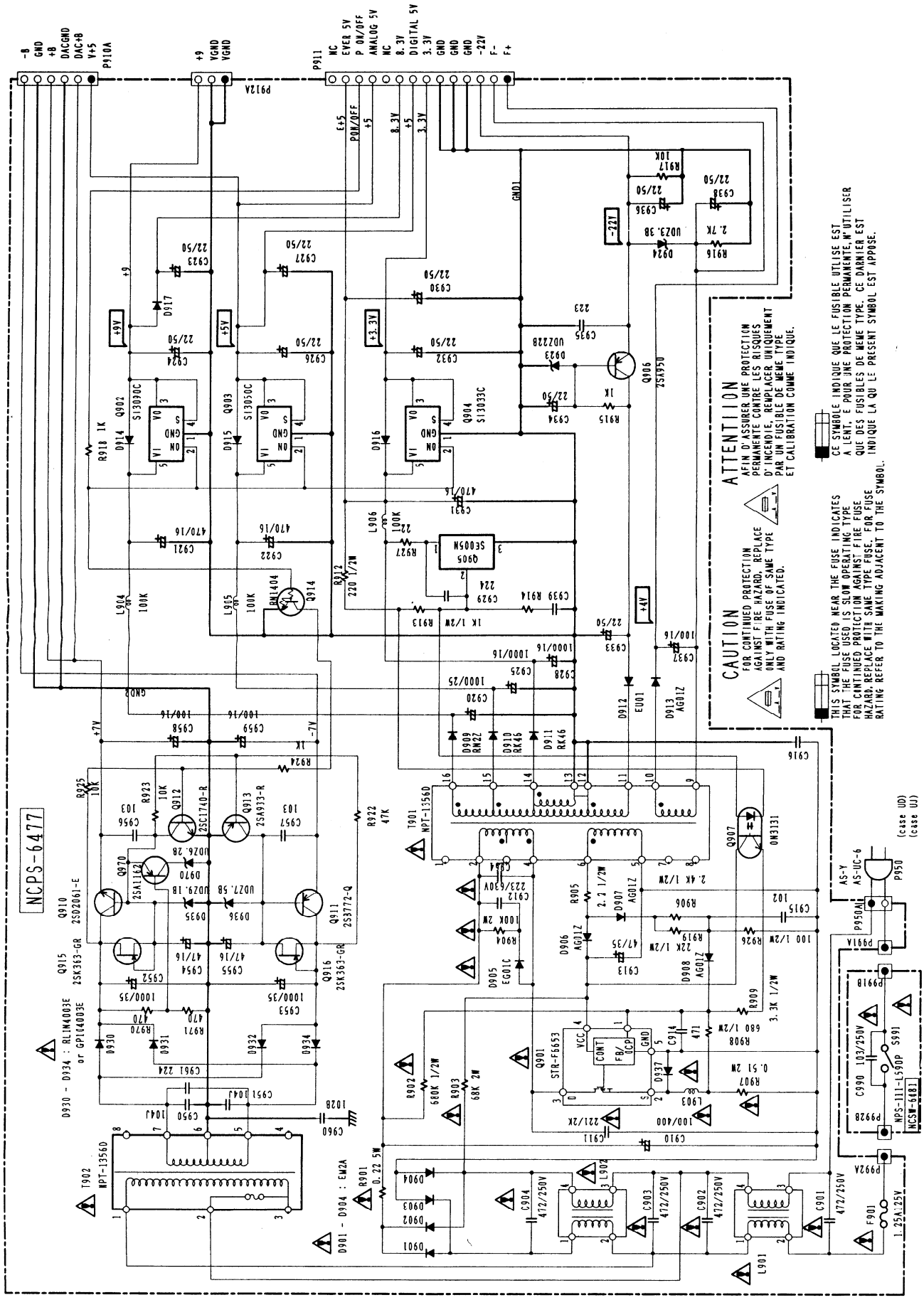
CIRCUIT No.	PARTS No.	DESCRIPTION
Headphone PC board (NAAF-6486) <W> only		
		ICs
Q601	22241234	BA3313L <W>
Q602	222654	NJM4556D <W>
		Capacitors
C603-C605	393341007	CE04W16V-10M(VX) Elect. <W>
C606	393344707	CE04W16V-47M(VX) Elect. <W>
C607	393341017	CE04W16V-100M(VX) Elect. <W>
		Coils
L601-L607	230921R0	BLM21B222SPT Choke coil <W>
		Jacks
P601,P602	25045545	YKB26-5814 Jack <W>
P603	25045443 or 25045561	YKB26-5803 Jack or YKB26-5807 Jack <W>
		Others
P610	27190608-1	Holder UA-0 V0 <W>
P711A	25055153	NPLG-9P137 Plug <W>

**NOTE: <D> : 120V model only
<W>: Worldwide model only**

NOTE: THE COMPONENTS IDENTIFIED BY MARK
 ARE CRITICAL FOR RISK OF FIRE AND
 ELECTRIC SHOCK. REPLACE ONLY WITH
 PART NUMBER SPECIFIED.

A B C D E F G

SCHEMATIC DIAGRAM (POWER)



CAUTION
 FOR CONTINUED PROTECTION AGAINST FIRE HAZARD, REPLACE ONLY WITH FUSE OF SAME TYPE AND RATING INDICATED.

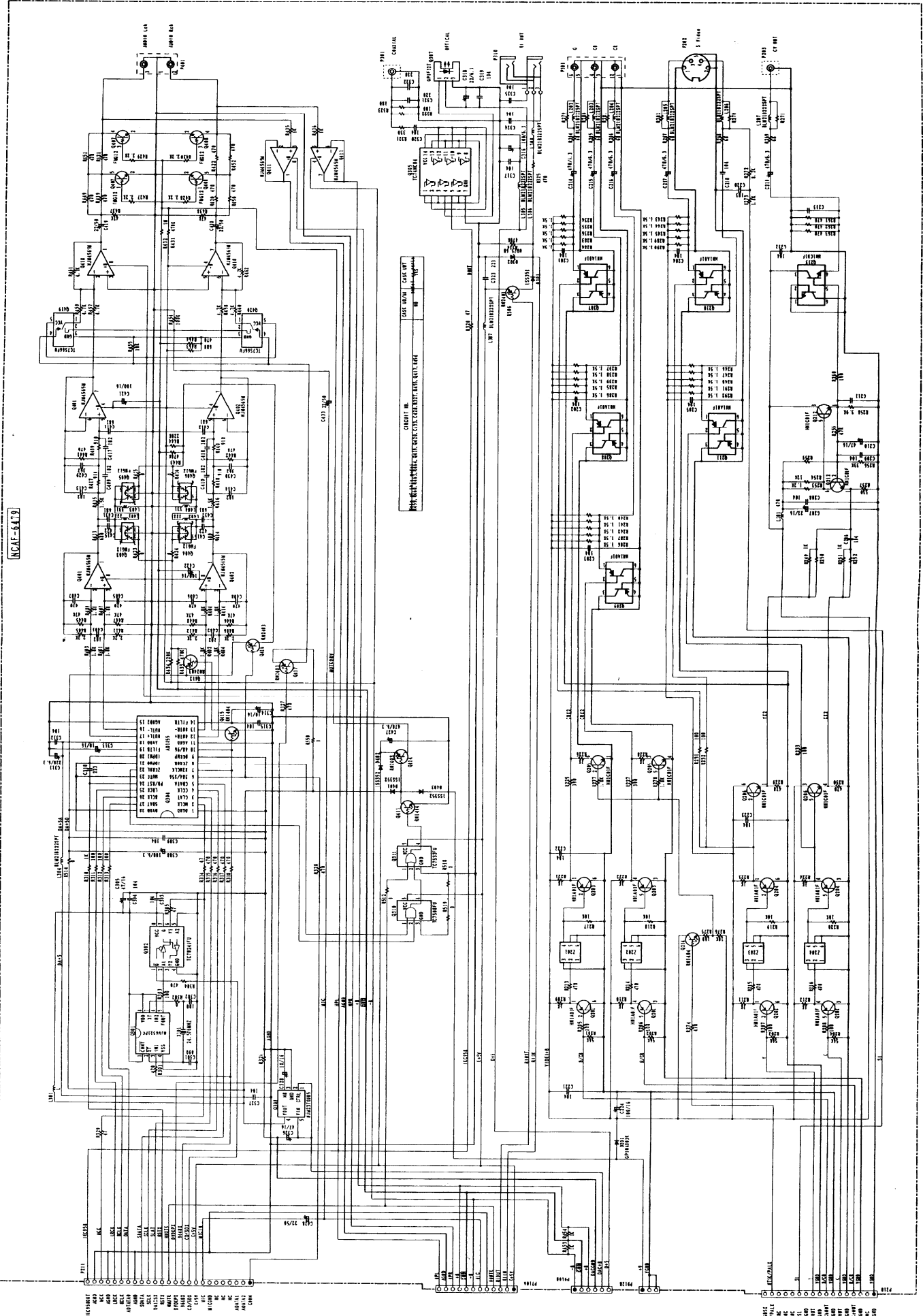
ATTENTION
 AFIN D'ASSURER UNE PROTECTION PERMANENTE CONTRE LES RISQUES D'INCENDIE, REMPLACER UNIQUEMENT PAR UN FUSIBLE DE MEME TYPE ET CALIBRATION COMME INDIQUE.

THIS SYMBOL LOCATED NEAR THE FUSE INDICATES THAT THE FUSE USED IS SLOW OPERATING TYPE FOR CONTINUED PROTECTION AGAINST FIRE HAZARD. REPLACE WITH SAME TYPE FUSE. FOR FUSE RATING REFER TO THE MAKING ADJACENT TO THE SYMBOL.

CE SYMBOLE INDIQUE QUE LE FUSIBLE UTILISE EST A LENT, E POUR UNE PROTECTION PERMANENTE. UTILISER QUE DES FUSIBLES DE MEME TYPE. CE DERNIER EST INDIQUE LA QU LE PRESENT SYMBOLE EST APPOSE.

A | B | C | D | E | F | G

SCHEMATIC DIAGRAM (TERMINAL)



CAUTIONS BEFORE STARTING SERVICING

Electronic parts are susceptible to static electricity and may easily be damaged, so do not forget to take a proper grounding treatment as required.

Many screws are used inside the unit. To prevent missing, dropping, etc. of the screws, always use a magnetized screwdriver in servicing. Several kinds of screws are used and some of them need special cautions. That is, take care of the tapping screws securing molded parts and fine pitch screws used to secure metal parts. If they are used improperly, the screw holes will be easily damaged and the parts can not be fixed.

1. REPLACEMENT OF MECHANICAL PARTS

1-1. Cabinet Replacement

1-1-1. Top Cover

1. Remove five screws (1) and remove the top cover (2).

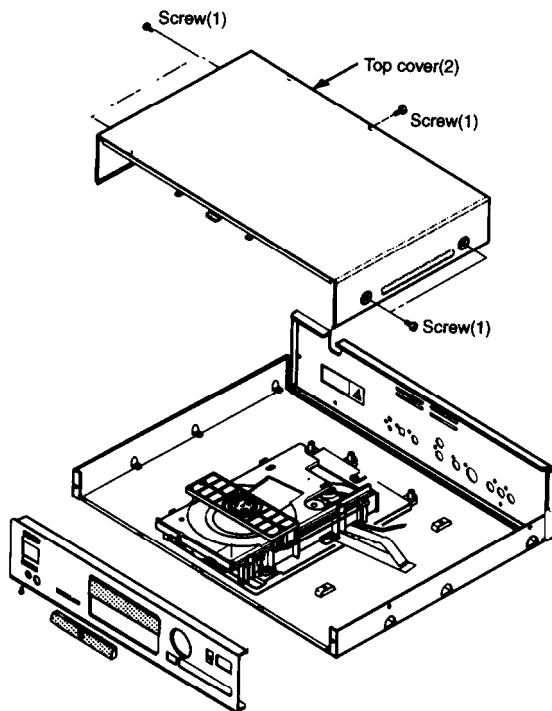


Fig. 1

1-1-2. Tray

1. Remove two screws (2) of the tray (1).
2. Push the portion (A) in Fig. 2 using a screwdriver, etc. and release the lock of the tray (1).
3. Pull out the tray (1) after moving the tray (1) in forward direction.

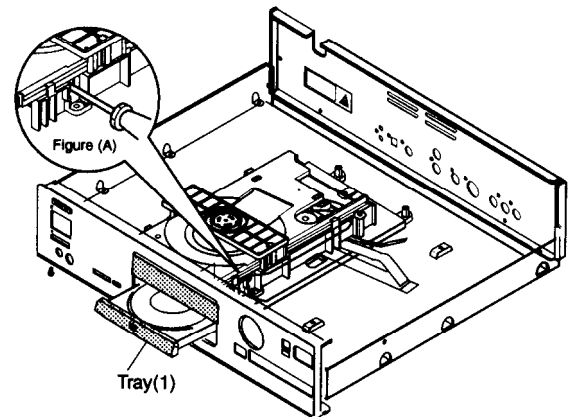


Fig. 2

1-1-3. Tray Panel

1. Releasing the claws pushing in the arrow (A) direction, and push down the tray panel (1) in the arrow (B) direction. And the tray panel (1) is removed from the tray (2).
2. To mount the tray panel (1), fit the tray panel (1) into the groove on both sides until it clicks.

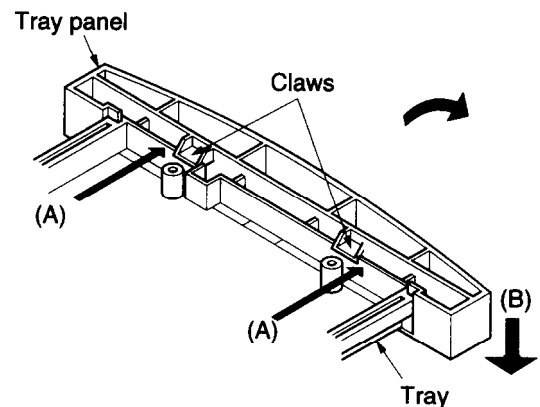


Fig. 3

1-1-4. Loading Motor and Detction Switch

<Removal>

1. Peel off the tape (1) fixing the flexible connector (2).
2. Desolder the loading motor terminal.
3. Loosen three mold claws (3), and remove the loading motor PC board (4). (Refer to Fig. 4.)
4. Desolder, and remove the detection switch (5).
5. Remove the loading belt (6). (Refer to Fig. 5.)
6. Remove two screws (7), and remove the loading motor (8).

<Mounting>

1. Align the positioning hole of a new loading motor (8) to the hole into which the chassis positioning boss is inserted, and fix the motor with two screws (7). (Refer to Fig. 5.)
2. Perform the reverse steps of removal described above for mounting.

Notes:

- When mounting the loading motor PC board (4), insert the end of the detection switch (5) into the notch of the kick lever. (Refer to Fig. 4.)
- When mounting the loading belt (6), take care not to twist the belt or touch grease.
- Be sure to open the molded claws (3) manually when mounting the loading motor PC board (4).

When the loading motor PC board (4) is pushed in directly without opening the molded claws (3), the molded claws (3) may be destroyed.

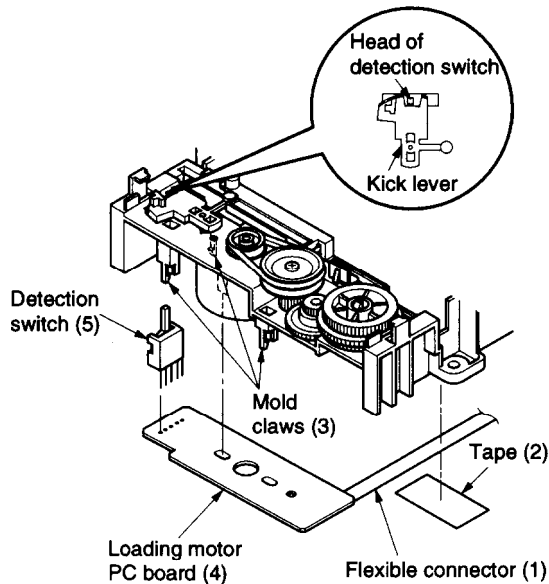


Fig. 4

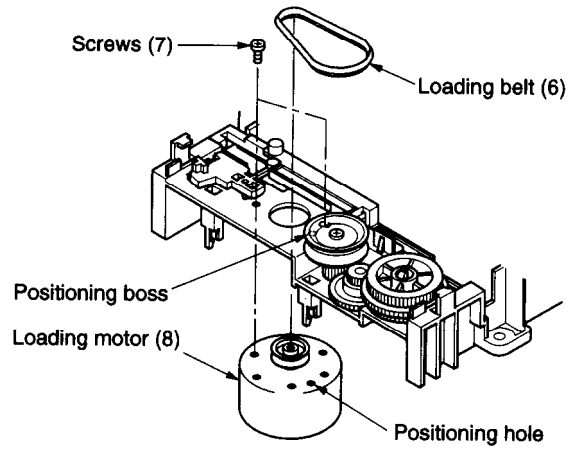


Fig. 5

1-1-5. Pickup Mechanism Assembly

<Removal>

1. Remove two screws (1), and remove the clamber stay (2).
2. Remove the 21P flexible connector (3). (This is not locked, and can be removed simply by pulling.)
3. Remove two screws (4), and remove the sub chassis (5) (with the pickup mechanism assembly).
4. Remove four screws (6), and remove the pickup mechanism assembly (7).
5. Remove the 19P flexible connector (8).

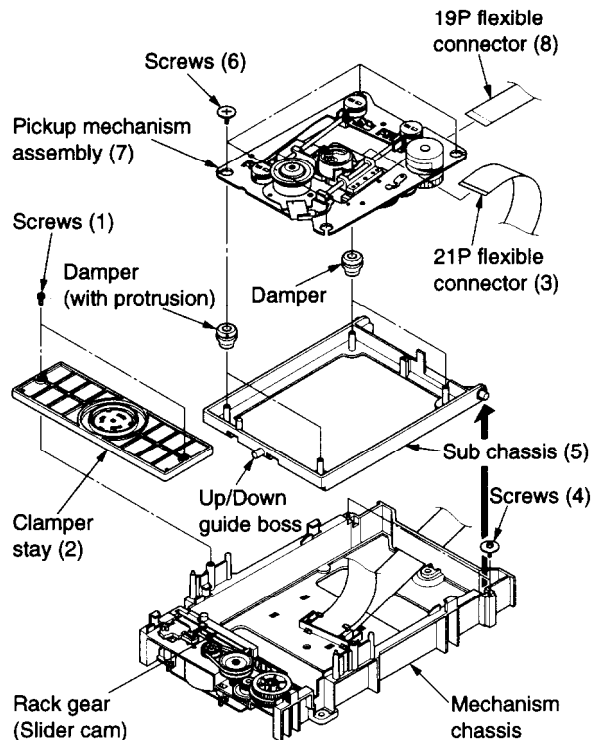


Fig. 6

<Wiring of the flexible connector>

It is necessary to bend the flexible wire of the mechanism chassis when wiring. When bending the flexible wire, perform the procedure referring (Refer to Fig. 7.)

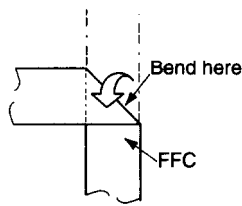
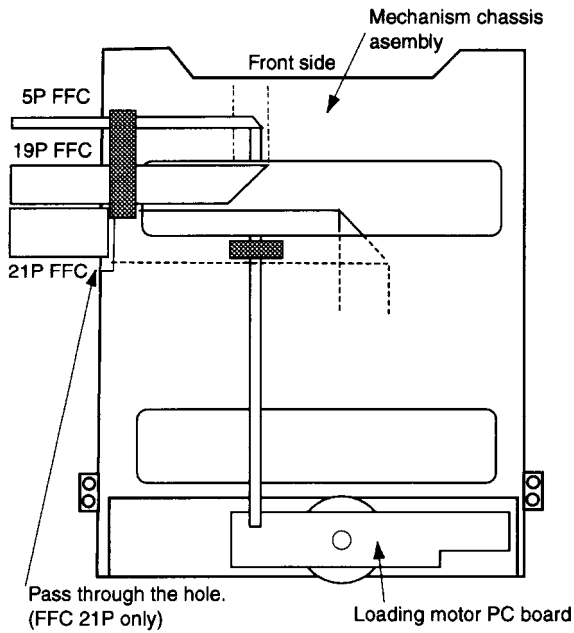


Fig. 7

<Removal of connector with the flexible connector lock>

Pull the connector slider in the direction of the arrow with your fingers. The connector is unlocked, and the 19P flexible connector (8) can be removed.

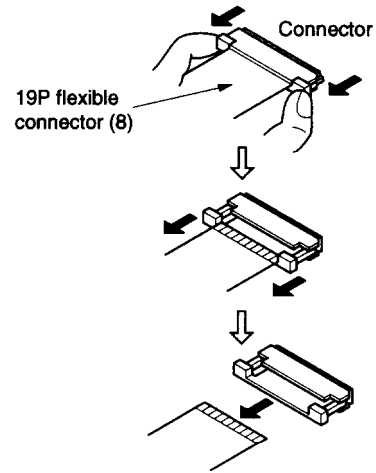


Fig. 8

<Mounting>

1. Replace the pickup mechanism assembly (7).
2. Face the correct side of the 19P flexible connector (8) up and connect it to a new pickup mechanism assembly (7). (Face the metallic side of the pickup mechanism assembly (7) up viewing it from the rear side, insert it into the connector, and lock it by sliding the connector in the direction of the arrow.)

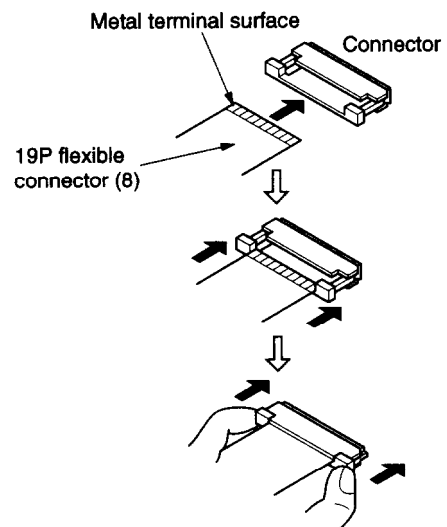


Fig. 9

3. Perform the reverse steps of removal described on previous page for mounting.

Note:

- When fixing the pickup mechanism assembly (7) with four screws (6), take care not to catch the damper. Push the mechanism assembly (7) down and loosen the damper, and tighten the screws (6).

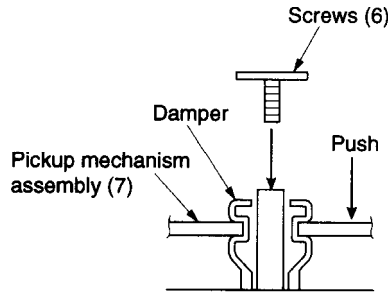


Fig. 10

- Use the damper with a protrusion (2 locations) in the disc motor, and use a damper without a protrusion on the rear side.

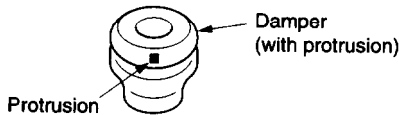


Fig. 11

- When mounting the sub chassis (5) (with the pickup mechanism assembly), insert the Up/Down guide boss into the cam slider Up/Down cam.

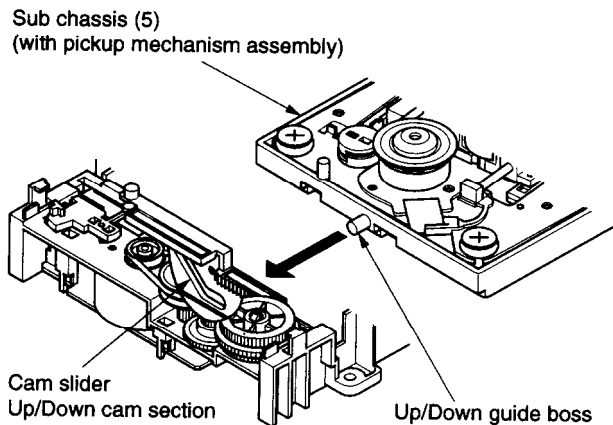


Fig. 12

1-1-6. Gear B Assembly, Gear A, Feed Motor Gear Assembly and Rack Gear Assembly

<Removal>

1. Remove the pickup mechanism assembly. (Refer to item 1-3-3.)
2. Remove the polyslider washer (1), and remove the gear B assembly (2). (Refer to Fig. 13.)
3. Remove one screw (3), and remove the gear A (4).

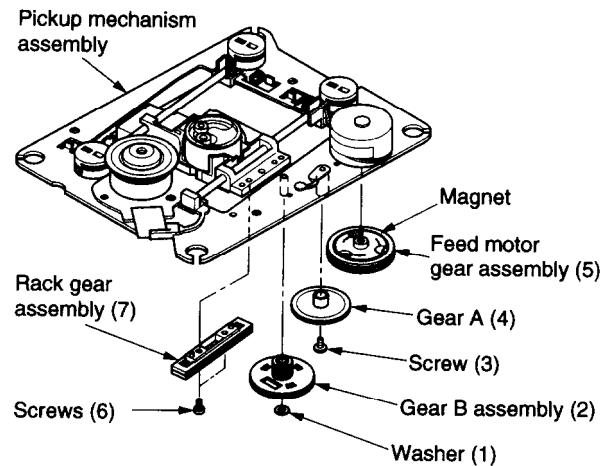


Fig. 13

4. Remove the feed motor gear assembly (5) using screwdriver, etc. with care taken not to break the magnet. (Refer to Fig. 14.)

Note:

- Apply lightly the screwdriver, etc. end to the gear shaft and push upward, and pull out the feed motor gear assembly (5).

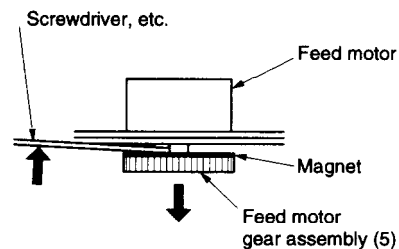


Fig. 14

5. Remove two screws (6), and remove the rack gear assembly (7). (Refer to Fig. 15.)

<Mounting>

1. Perform the reverse steps of removal described on previous page for mounting.
2. Push the pickup head (8) to the disc motor side (in the arrow (A) direction), and push and slide the upper gear of the rack gear assembly (6) (in the arrow (B) direction).
3. Align the positioning holes of the upper and lower gears of the gear B assembly (2), insert them into the gears of the gear A (4) and the rack gear assembly (7), and fix them with the washer (1).

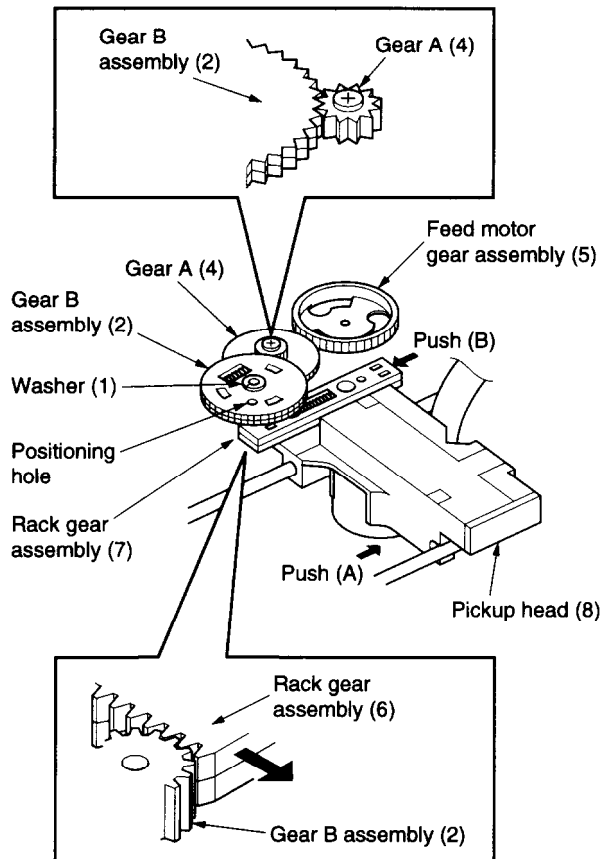


Fig. 15

Notes:

- Push the feed motor gear assembly (5) to fit it in position.
- Fit the feed motor gear assembly (5) at the height where the clearance is 0.5 ± 0.1 mm between the feed motor gear assembly and the hall element on the feed motor PC board.
- When replacing the hall element, be sure to fit the hall element to the pattern surface of the feed motor PC board.
Then, solder the hall element on the feed motor PC board without leaving any clearance.

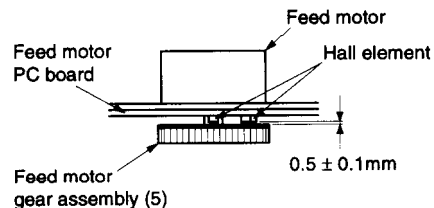


Fig. 16

1-1-7. Feed Motor

<Removal>

1. Remove the gear B assembly, the gear A and the feed motor gear assembly
2. Remove two screws (1), and remove the feed motor (2). (Refer to Fig. 17.)
3. Desolder the feed motor lead wire (3) from the feed motor PC board (4).

<Mounting>

1. Solder the lead wire (3) of a new feed motor (2) to the feed motor PC board. (Pay attention to the lead wire color.)
2. Fix the feed motor (2) with two screws (1) with attention paid to the motor angle. (The motor side end of the lead wire (3) is to be aligned to the positioning concave on the pickup mechanism assembly.)
3. Fix the feed motor lead wire (3) with a cotton tape. Use a new cotton tape.

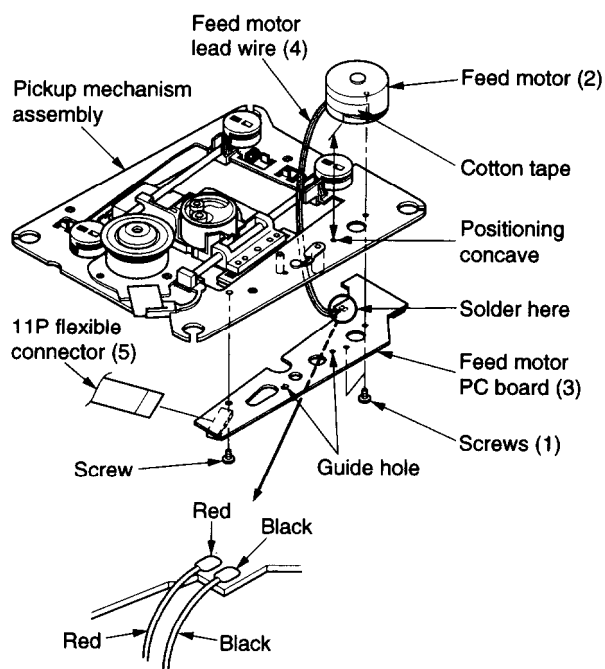
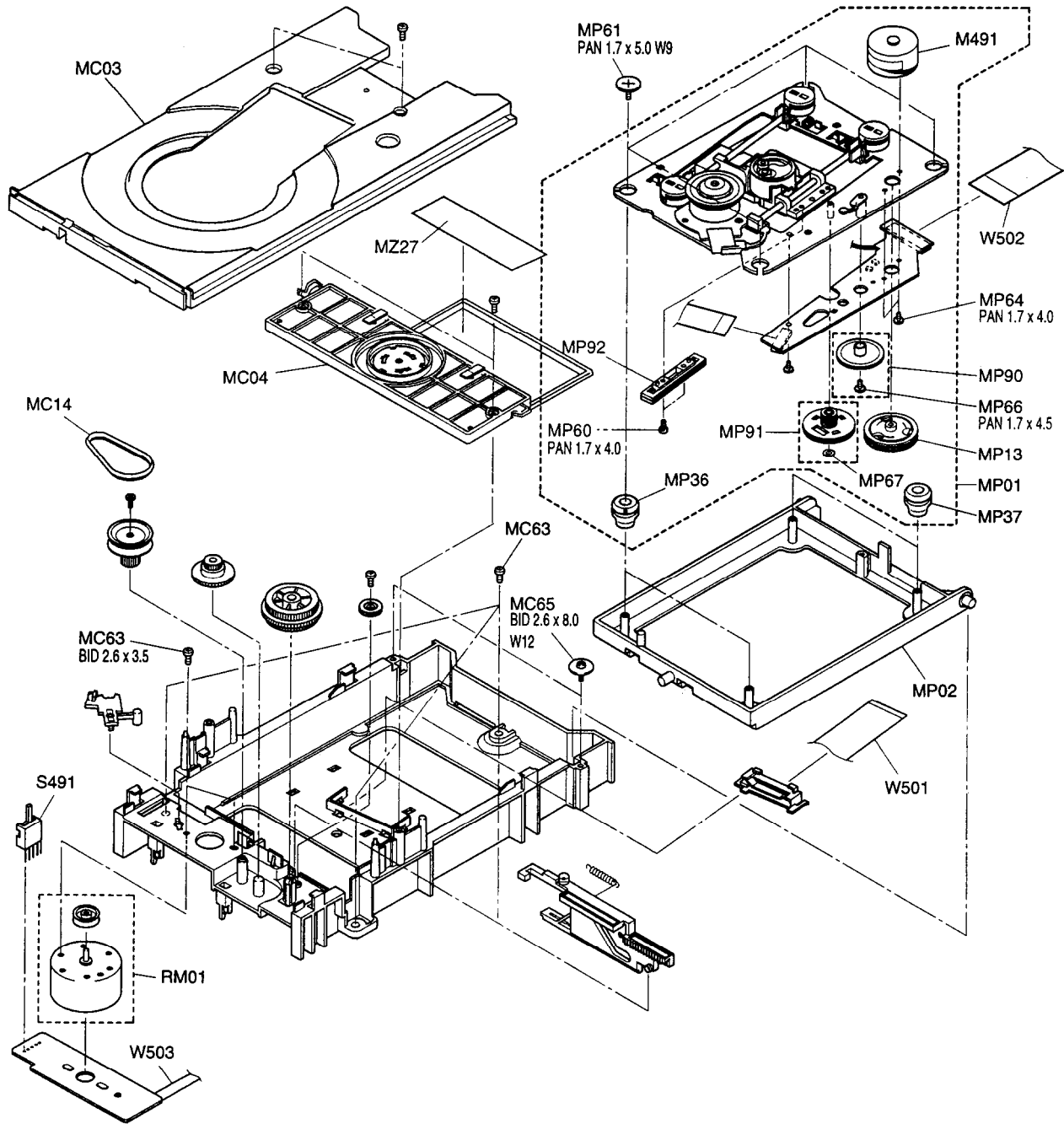


Fig. 17

EXPLODED VIEW (DVD MECHANISM)

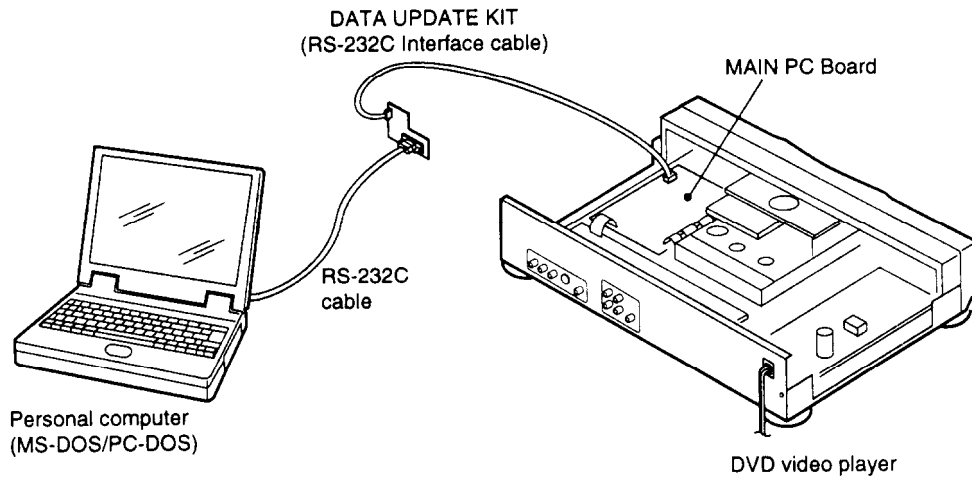


Mechaanism Parts List

Ref. No.	Part No.	Description	Remarks	Ref. No.	Part No.	Description	Remarks
MP13	79070011	Gear, Feed, M, assy	With magnet	RM01	79070025	Motor, Loading, assy	
MP90	79070012	Gear, A, Kit		S491	79070026	Switch	SW-SSCF
MP91	79070013	Gear, B, Kit		MC63	79070028	Screw	BID 2.6 X 3.5
MP92	79070014	Gear, Rack, Pu, assy		MC65	79070064	Screw	BID 2.6 X 8W12
M491	79070015	Motor, Feed	RF-300PA	MP37	79070082	Dumper Rubber Rear	
MP36	79070016	Dumper Rubber Front		MC04	79070139	Clamper, assy	
MP67	79070017	Washer	W-5-1.65	ZG27	79070162	Label, Pu, Caution	
MP66	79070018	Screw	PAN 1.7 x 4.5	MC03	79070232	Tray	TRAY-21
MP61	79070019	Screw	PAN 1.7 x 0.5W9	W501	79080020	Cable, Flexible	FFC-21P-L292
MP64	79070020	Screw	PAN 1.7 x 4.0	W502	79080021	Cable, Flexible	FFC-19P-L185
MP02	79070023	Chassis, Sub		W503	79080059	Cable, Flexible	FFC-5P-L288
MC14	79070024	Belt, Load		MP01	79070339	Mechanism assy Pu	Mecha, assy, Pu, A

When Replaced ROM Ics or Upgraded Firmware

1. When replaced the following ROM Ics, it is necessary to write the data into the new Ics.
 - 1) IC615 (firmware)
 - 2) IC613 (Setup default data and other information)
2. When the firmware is upgraded, rewriting the new firmware into IC615 may be requested for servicing.
3. Connect a personal computer to the main PC board of the DVD video player with using DATA UPGRADE KIT.
4. Writing operation
Refer to the instruction attached to the data floppy disc.



Note:
the firmware and setup data floppy discs are not available as service parts.
For more information, consult ONKYO service office in Japan.

Main PC board Parts List (120V Model)

Ref. No.	Part No.	Description	Remarks	Ref. No.	Part No.	Description	Remarks
IC305	79040063	IC	HY57V16160ATC-10 or MB811171622A-100FN	IC607	79040007	IC	TC7S08F
				IC309,IC520,	79040008	IC	TC7S32F
IC615	79040064	IC	LH28F400SUT-NF8	IC910,IC916,			
IC203	79040066	IC	uPC29L33T	IC917			
IC915	79040068	IC	BA17805FP-E2	IC519,IC521	79040009	IC	TC7S86F
IC613	79040070	IC	S-24C01AFJ-TB	IC307,IC522	79040011	IC	TC7W04F
IC302	79040071	IC	LH61664AK-60	IC523,IC906	79040013	IC	TC7W74F
IC508	79040072	IC	TC7S66F(TE85L)	IC517	79040014	IC	TA75S01F
IC907,IC918,	79040073	IC	TC4W53F	IC509	79040016	IC	TA2076AF
IC919				IC502	79040017	IC	TA1236F
IC207	79040080	IC	TC6815AF(Z)	IC501	79040018	IC	TA1253FN
IC303	79040084	IC	BU6291FV	IC201	79040020	IC	TC90A19F
IC301	79040086	IC	TC6341AF(Z)	IC503	79040021	IC	TC9420F
IC601	79040099	IC	TMP93CS42AF-9404	IC904	79040022	IC	TC9425F
Q601	79050001	Transistor, Chip	RN2402	IC606	79040027	IC	TC74HC32AF
Q505	79050009	Transistor, Chip	RN1401	IC506	79040029	IC	TC74HC4053AF
Q502	79050010	Transistor, Chip	RN1411	IC604,IC609	79040030	IC	TC74AC573F
Q504	79050014	Transistor, Chip	HN1C03F	IC505	79040036	IC	BA679FP
Q503,Q506	79050015	Transistor, Chip	HN1B01F	IC507	79040039	IC	NJM3403AMC
Q501	79050019	Transistor, Chip	2SA1182	IC510	79040040	IC	BA6844AFP
Q301,Q302	79050022	Transistor, Chip	HN1A01F-Y(TE85L)	IC602	79040041	IC	PST591-DMT
D501,D503	79060018	Diode	1SS193(TE85L)	IC901	79040043	IC	ZR38521
X301	79080013	Oscillator	SMD49-27MHZ	IC905	79040047	IC	AK4321
X501	79080014	Oscillator	SMD49-33.86MHZ	IC518	79040050	IC	NJM2107F
X601	79080015	Oscillator	CSACV20.00MX040	IC304	79040052	IC	TC81201AF
W501	79080020	Cable,Flexible	FFC-21P-L292	IC913	79040053	IC	TC9409BF-001
W502	79080021	Cable,Flexible	FFC-19P-L185	IC902	79040056	IC	TC6813AF(Z)
W301	79080022	Cable,Flexible	FFC-25P-10.MM	IC908,IC912,	79040057	IC	TC74HC257AF
IC504,IC511,	79040066	IC	TC7S04F	IC914			
IC512,IC516,				IC911	79040059	IC	TC74HC393AF
IC608,IC909,				IC306	79040060	IC	ADV7175AKS
IC920				IC202	79040061	IC	uPD424800LE-70
				IC611,IC614,	79040062	IC	HY62256ALJ-70-TR
				IC903			

Main PC board Parts List (Worldwide Model)

Ref. No.	Part No.	Description	Remarks	Ref. No.	Part No.	Description	Remarks
IC203	79040066	IC	uPC29L33T	IC519,IC521	79040009	IC	TC7S86F
IC915	79040068	IC	BA17805FP-E2	IC307,IC522	79040011	IC	TC7W04F
IC613	79040070	IC	S-24C01AFJ-TB	IC523,IC906	79040013	IC	TC7W74F
IC302	79040071	IC	LH61664AK-60	IC517	79040014	IC	TA75S01F
IC508	79040072	IC	TC7S66F(TE85L)	IC509	79040016	IC	TA2076AF
IC907,IC918,	79040073	IC	TC4W53F	IC502	79040017	IC	TA1236F
IC919				IC501	79040018	IC	TA1253FN
IC303	79040078	IC	BU6272FV-E2	IC201	79040020	IC	TC90A19F
IC207	79040080	IC	TC6815AF(Z)	IC503	79040021	IC	TC9420F
IC301	79040086	IC	TC6341AF(Z)	IC904	79040022	IC	TC9425F
IC601	79040099	IC	TMP93CS42AF-9404	IC606	79040027	IC	TC74HC32AF
Q601	79050001	Transistor, Chip	RN2402	IC506	79040029	IC	TC74HC4053AF
Q505	79050009	Transistor, Chip	RN1401	IC604,IC609	79040030	IC	TC74AC573F
Q502	79050010	Transistor, Chip	RN1411	IC505	79040036	IC	BA679FP
Q504	79050014	Transistor, Chip	HN1C03F	IC507	79040039	IC	NJM3403AMC
Q503,Q506	79050015	Transistor, Chip	HN1B01F	IC510	79040040	IC	BA6844AFP
Q501	79050019	Transistor, Chip	2SA1182	IC602	79040041	IC	PST591-DMT
Q301,Q302	79050022	Transistor, Chip	HN1A01F-Y(TE85L)	IC901	79040043	IC	ZR38521
D501,D503	79060018	Diode	1SS193(TE85L)	IC905	79040047	IC	AK4321
X301	79080013	Oscillator	SMD49-27MHZ	IC518	79040050	IC	NJM2107F
X501	79080014	Oscillator	SMD49-33.86MHZ	IC304	79040052	IC	TC81201AF
X601	79080015	Oscillator	CSACV20.00MX040	IC902	79040056	IC	TC6813AF(Z)
W301	79080022	Cable,Flexible	FFC-25P-10.MM	IC908,IC912	79040057	IC	TC74HC257AF
IC504,IC511,	79040066	IC	TC7S04F	IC911	79040059	IC	TC74HC393AF
IC512,IC516,				IC306	79040060	IC	ADV7175AKS
IC608,IC909,				IC202	79040061	IC	uPD424800LE-70
IC920				IC611,IC614,	79040062	IC	HY62256ALJ-70-TR
IC607	79040007	IC	TC7S08F	IC903			
IC309,IC520,	79040008	IC	TC7S32F	IC305	79040063	IC	HY57V16160ATC-10
IC910,IC916,				IC615	79040064	IC	LH28F400SUT-NF8
IC917							

SPECIFICATIONS

DVD Player / outputs / Supplied Accessories

DVD Player

Power supply	AC 120 V, 60Hz <D> AC 120 - 240V, 50/60 Hz <W>
Power consumption	20W
Weight	4.5kg
External dimensions	435 x 121 x 306 mm (W / H / D)
Signal system	Standard NTSC <D> PAL/Auto mode <W>
Laser	Semiconductor laser, wavelength 650 nm
Frequency range (digital audio)	DVD linear sound : 48 kHz sampling 4 Hz to 22 kHz 96 kHz sampling 4 Hz to 44 kHz Audio CD : 4 Hz to 20 kHz
Signal-to-noise ratio (digital audio)	More than 106 dB (EIAJ)
Audio dynamic range (digital audio)	More than 96 dB (EIAJ)
Harmonic distortion (digital audio)	Less than 0.005 %
Wow and flutter	Below measurable level (less than ± 0.001 % (W.PEAK)) (EIAJ)
Operating conditions	Temperature : 5 °C to 35 °C (41 to 95 Degree), Operation status : Horizontal

Output

Video output	1.0 V (p-p), 75 Ω, negative sync., pin jack x 1
S video output	(Y) 1.0 V (p-p), 75 Ω, negative sync., Mini DIN 4-pin x 1 (C) 0.286 V (p-p), 75 Ω,
Color different output	(Y) 1.0 V (p-p), 75 Ω, negative sync., pin jack x 1 (Cb) / (Cr) 0.7 V (p-p), 75 Ω
Audio output (Optical audio)	Optical connector x 1
Audio output (digital audio)	0.5 V (p-p), 75 Ω, pin jack x 1
Audio output (analog audio)	2.0 V (rms), 470 Ω, pin jack (L, R) x 1
Headphone terminal	32 Ω (10mW), impedance: more than 8 Ω

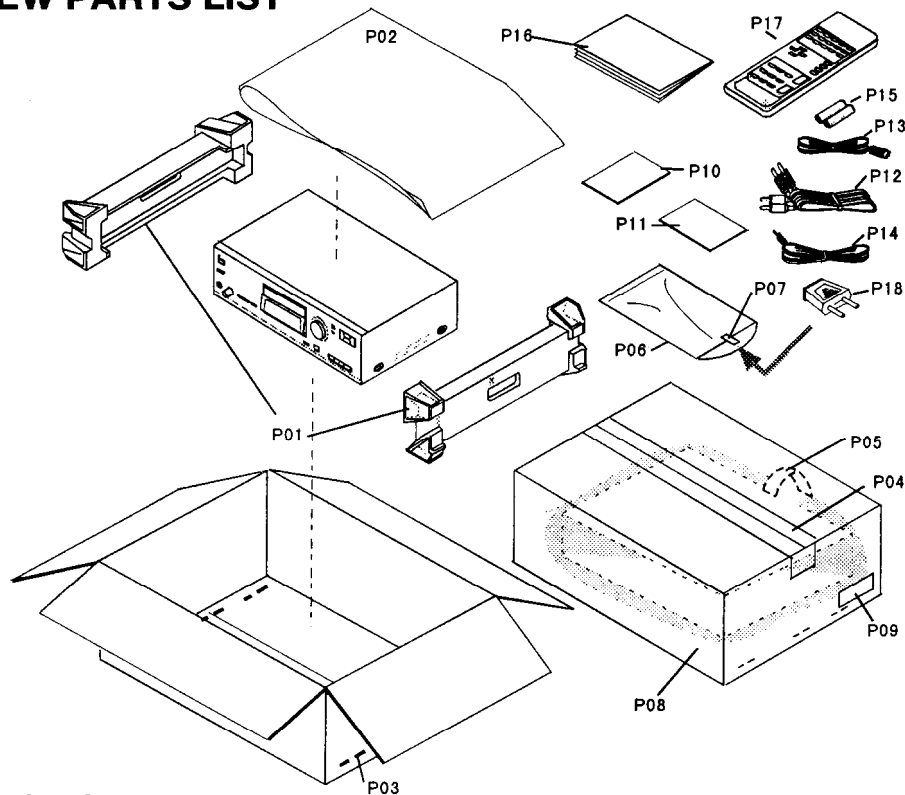
Supplied Accessories

S video cable -----	1
Audio•video connection cable-----	1
Remote controller (RC-388DV) <D>-----	1
Remote controller (RC-393DV) <W>-----	1
Batteries (AA,R6) -----	2
RI cable -----	1
CV plug <W> -----	1

• Designs and specifications are subject to change without notice.

NOTE : <D> : USA, CANADA model only
<W> : Worldwide model only

PACKING VIEW PARTS LIST



PACKING PARTS LIST

REF. NO.	PART NO.	DESCRIPTION	REF. NO.	PART NO.	DESCRIPTION
P01	29091838	Pad	P14	2010200	RI cable
P02	29100034-1A	850*650, Polybag	P15	3010054	UM-3, Battery
P03	282321	Staple	P16	29342658A	Instruction manual <D>
P04	29110077	PP tape	P16	29342661	Instruction manual E <W>
P05	261504	Paper tape	P16	29342660	Instruction manual T <W>
P06	29100097-1A	350*250, Polybag	P17	24140388	RC-388DV, Remote controller <D>
P07	262002	W24, Cellophane tape	P17	24140393	RC-393DV, Remote controller <W>
P08	29053371	Carton box <D>	P18	25055040	CV-K-2, Conversion plug <W>
P08	29053386	Carton box <BW>			
P08	29053387	Carton box <G>			
P09	29362380	Label UPC <D>			
P09	29362391	Label EAN <BW>			
P09	29362392	Label EAN <G>			
P10	29365019B	Warranty card <D>			
P11	29358002K	Service station list <D>			
P12	2010359	Audio-video connection cable <D>			
P13	2010360	TPX3000, S video cable			

NOTE: : Black model only
 <G>: Golden model only
 <D>: 120V model only
 <W>: Worldwide model only
 <BW>: Black type worldwide model only

ONKYO CORPORATION

Sales & Product Planning Div. : 2-1, Nisshin-cho, Neyagawa-shi, OSAKA 572-8540, JAPAN
 Tel: 0720-31-8111 Fax: 0720-33-5222

ONKYO U.S.A. CORPORATION

200 Williams Drive, Ramesy, N.J. 07446, U.S.A.
 Tel: 201-825-7950 Fax: 201-825-8150 E-mail: onkyo@onkyousa.com

ONKYO EUROPE ELECTRONICS GmbH

Industriestrasse 20, 82110 Germering, GERMANY
 Tel: 089 84 93 20 Fax: 089 84 93 226 E-mail: info@onkyo.de

ONKYO EUROPE FRANCE BRANCH

Domaine Technologique de Saclay 4, Rue René Razel, SACLAY-91892
 ORSAY CEDEX, FRANCE Tel: (1) 69 33 14 00 Fax: (1) 69 41 35 84

ONKYO CHINA LIMITED

Units 2102-7, Metroplaza Tower I, 223 Hing Fong Road, Kwai Chung,
 N.T., HONG KONG Tel: 852 2429 3118 Fax: 852 2428 9039

NS902 PN 0M3614 Printed in Japan